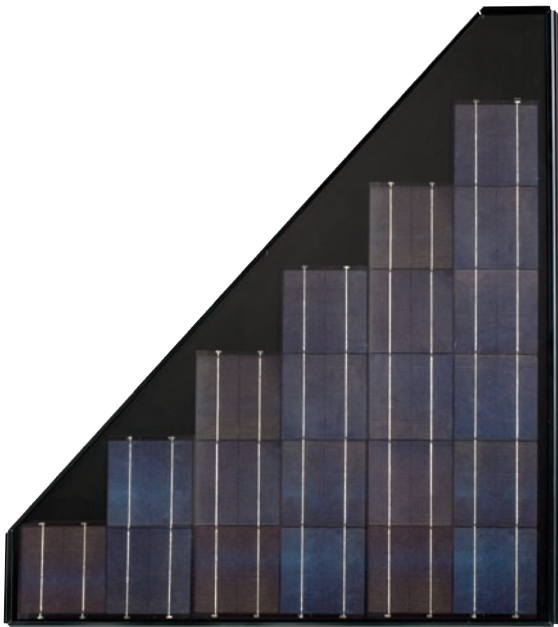


SHARP®

solar electricity

72 WATT

OnEnergy™
SYSTEM MODULE



ND-72ERUF/ND-72ELUF

RESIDENTIAL 72 WATT
MODULE FROM THE WORLD'S
TRUSTED SOURCE FOR SOLAR.

Designed to partner with the 142 watt module in the Sharp OnEnergy solar system, our exclusive triangular module sets a new standard in aesthetics for residential hip roofs and complex roof lines. Sharp's OnEnergy system replaces the bulky look of traditional solar roof mounts with a clean, elegant appearance that blends beautifully with rooflines. Using breakthrough technology, made possible by nearly 50 years of proprietary research and development, this module incorporates an advanced surface texturing process to increase light absorption and improve efficiency. Sharp is proud to offer innovative product choices that blend the power of solar electricity with the aesthetics of modern architecture.

ENGINEERING EXCELLENCE

Designed for use with the 142 watt module and Sharp's OnEnergy solar racking system, this module is the perfect combination of technology and design.

ADVANCED AESTHETICS

A Sharp exclusive, the triangular module sets a new standard in aesthetics for residential hip roofs and complex roof lines.

DURABLE

Tempered glass, EVA lamination and weatherproof backskin provide long-life and enhanced cell performance.

RELIABLE

25-year limited warranty on power output.

HIGH PERFORMANCE

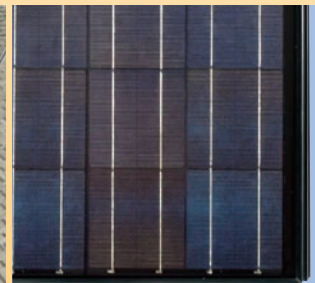
This module uses an advanced surface texturing process to increase light absorption and improve efficiency.

[Designed for]

ONENERGY™
solar system by Sharp



Black frame and low profile racking complement roofline.



Laminated glass construction in a high torsion frame.

SHARP: THE NAME TO TRUST

When you choose Sharp, you get more than well-engineered products. You also get Sharp's proven reliability, outstanding customer service and the assurance of our 25-year limited warranty. A global leader in solar electricity, Sharp powers more homes and businesses than any other solar manufacturer worldwide.

BECOME POWERFUL

72 WATT

ND-72ERUF/ND-72ELUF

ELECTRICAL CHARACTERISTICS

Maximum Power (Pmax)*	72 W
Tolerance	+10%/-5%
Type of Cell	Polycrystalline silicon
Cell Configuration	21 in series
Open Circuit Voltage (Voc)	12.71 V
Maximum Power Voltage (Vpm)	10.03 V
Short Circuit Current (Isc)	7.89 A
Maximum Power Current (Ipm)	7.18 A
Maximum System (DC) Voltage	600 V
Series Fuse Rating	15 A
NOCT	47.5°C
Temperature Coefficient (Pmax)	-0.485%/°C
Temperature Coefficient (Voc)	-0.36%/°C
Temperature Coefficient (Isc)	0.053%/°C

*Measured at (STC) Standard Test Conditions: 25°C, 1 kW/m², AM 1.5

MECHANICAL CHARACTERISTICS

Dimensions (A x B x C below)	45.86" x 38.98" x 1.81"/1165 x 990 x 46 mm
Cable Length (O)	51.2"/1300 mm
Type of Output Terminal	Lead Wire with MC Connector
Weight	23.14 lbs / 10.5 kg
Max Load	50 psf (2400 Pascals)

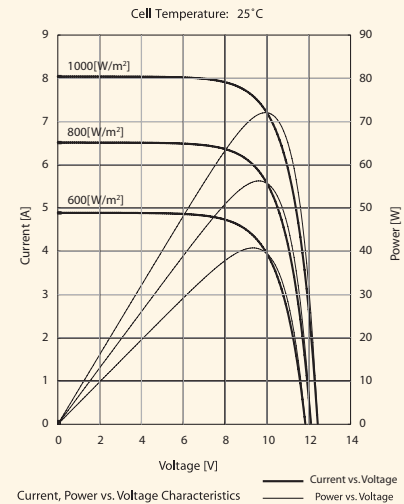
QUALIFICATIONS

UL Listed	UL 1703	
Fire Rating	Class C	

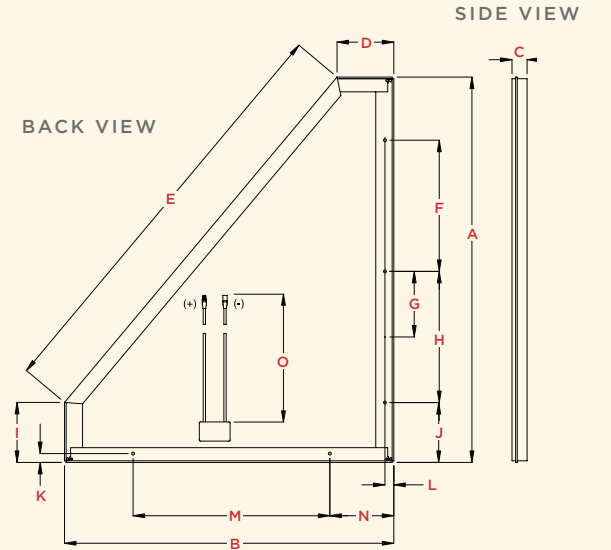
WARRANTY

25-year limited warranty
Contact Sharp for complete warranty information

IV CURVES



DIMENSIONS



A	B	C	D	E
45.86"/1165 mm	38.98"/990 mm	1.81"/46 mm	6.81"/173 mm	50.3"/1277.5 mm
F	G	H	I	J
15.75"/400 mm	7.9"/200 mm	15.75"/400 mm	7.2"/183 mm	7.2"/182.5 mm
K	L	M	N	O
1.06"/27 mm	1.06"/27 mm	23.62"/600 mm	7.68"/195 mm	51.2"/1300 mm

Contact Sharp for tolerance specifications



SHARP ELECTRONICS CORPORATION
5901 Bolsa Avenue, Huntington Beach, CA 92647
1-800-SOLAR-06 • Email: sharpsolar@sharpsusa.com
www.sharpsusa.com/solar